

# PG45ZY45

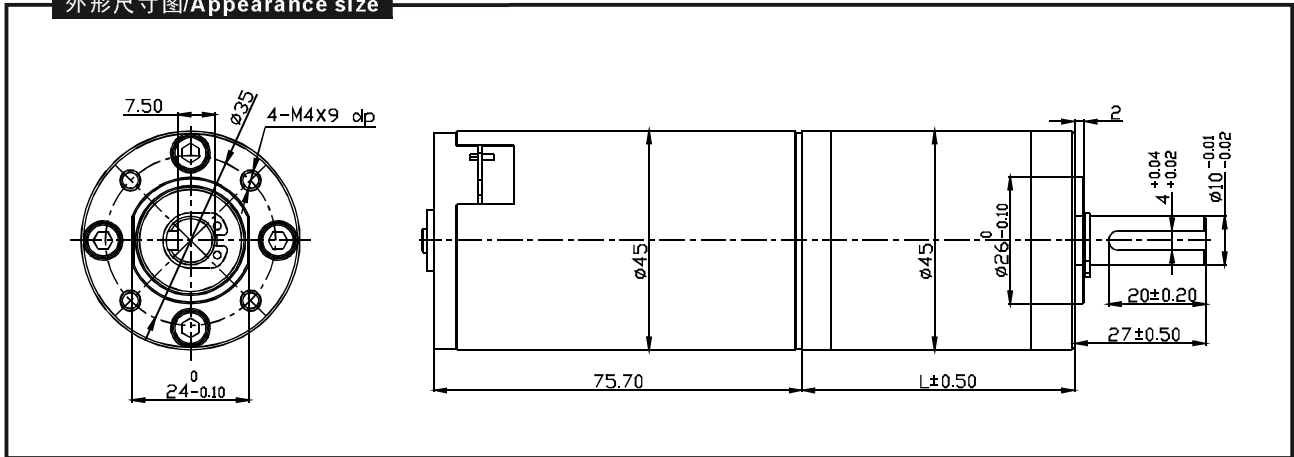


**适用范围/Typical applications:**

监控云台/云台、烘烤架、烤炉、清洗机、垃圾处理器、捆钞机、医疗食品、稳压器、游戏机、灌流泵、办公设备、家用电器。

Pan/Tilt cameras, Grill, Oven, Cleaning machine, Garbage disposers, Packing bank note machine, Coffee machine, Medical machine, Manostat, Amusement equipment, infusion pumps, Office equipment, Household appliances, Automatic actuator.

外形尺寸图/Appearance size



**齿轮箱清单/Gearbox data:**

| 级数<br>Number of stages              | 1 stages<br>reduction | 2 stages<br>reduction | 3 stages<br>reduction  | 4stages<br>reduction     | 5stages<br>reduction              |
|-------------------------------------|-----------------------|-----------------------|------------------------|--------------------------|-----------------------------------|
| 减速比Reduction ratio                  | 3.7                   | 10.2, 13.7, 19.2,     | 32.5, 50.9, 71.2, 99.5 | 139, 188, 264, 369, 516, | 699, 977, 1367, 1911, 2672, 3736, |
| 齿轮箱长度<br>Gearbox length "L" mm      | 33.6                  | 44.9                  | 56.2                   | 67.5                     | 78.8                              |
| 最大额定力矩<br>Max. Running torque       | 20Kgf · cm            | 60Kgf · cm            | 120Kgf · cm            | 120Kgf · cm              | 120Kgf · cm                       |
| 最大损坏扭力<br>Max. Gear breaking torque | 60Kgf · cm            | 180Kgf · cm           | 360Kgf · cm            | 360Kgf · cm              | 360Kgf · cm                       |
| 效率Gearing efficiency                | 90%                   | 81%                   | 73%                    | 65%                      | 59%                               |

**马达清单/Motor data:**

| 马达型号<br>Motor name | 额定电压<br>Rated Volt.<br>V | 空载No load |       | 负载扭矩Load torque |       |         |              | 堵转扭矩Stall torque |         |
|--------------------|--------------------------|-----------|-------|-----------------|-------|---------|--------------|------------------|---------|
|                    |                          | Current   | Speed | Current         | Speed | Torque  | Output power | Torque           | Current |
|                    |                          | mA        | r/min | mA              | r/min | gf · cm | W            | gf · cm          | A       |
| ZY45123000         | 12                       | ≤210      | 3000  | ≤1200           | 2430  | 390     | 9.5          | 2470             | 6.6     |
| Zy45124500         | 12                       | ≤440      | 4500  | ≤2050           | 3710  | 480     | 17.8         | 2706             | 10.2    |
| ZY45126000         | 12                       | ≤630      | 6000  | ≤4150           | 5240  | 610     | 31.9         | 4700             | 20.3    |
| ZY45243000         | 24                       | ≤120      | 3000  | ≤620            | 2590  | 380     | 9.84         | 2160             | 3.4     |
| ZY45244500         | 24                       | ≤270      | 4500  | ≤1340           | 3850  | 490     | 18.8         | 3233             | 5.5     |
| ZY45246000         | 24                       | ≤360      | 6000  | ≤2050           | 5120  | 650     | 33.2         | 4715             | 12.2    |

1、减速后的输出力矩 = 马达力矩X减速比X齿轮效率。输出转速 = 马达转速/减速比。  
 1、 After connecting motor and gearbox which is named gearmotor the output torque: motor torque X reduction ratio X gearing efficiency; output speed: motor speed / reduction ratio.

**NOTE:**

- 1、马达命名: 如PG45ZY45123000-99.5K。马达参数如马达清单上的ZY45123000, 齿轮减速比参数如齿轮箱清单上的99.5, 马达的输出转速和输出力矩请参照上表的马达清单。
- 2、马达可安装的译码器参数请参照第45页。
- 3、标准输出轴为Φ10mm, 其它尺寸可根据客户要求制作。
- 4、以上参数仅作参考, 具体以实物为准。
- 1、 Gearmotor named methods: e.g. PG45ZY45123000-99.5K Motor please refer to the motor data ZY45123000. Gearbox please refer to gearbox data reduction ratio 99.5. Related to gearmotor output speed and torque please refer to motor data.
- 2、 Motor can be installed with magnetic encoder, encoder parameters please refer to Page 45.
- 3、 Standard output shaft after reducing: Φ10.0mm. other sizes of the output shaft can make as client request.
- 4、 Chart only for reference, products shall prevail the entity.